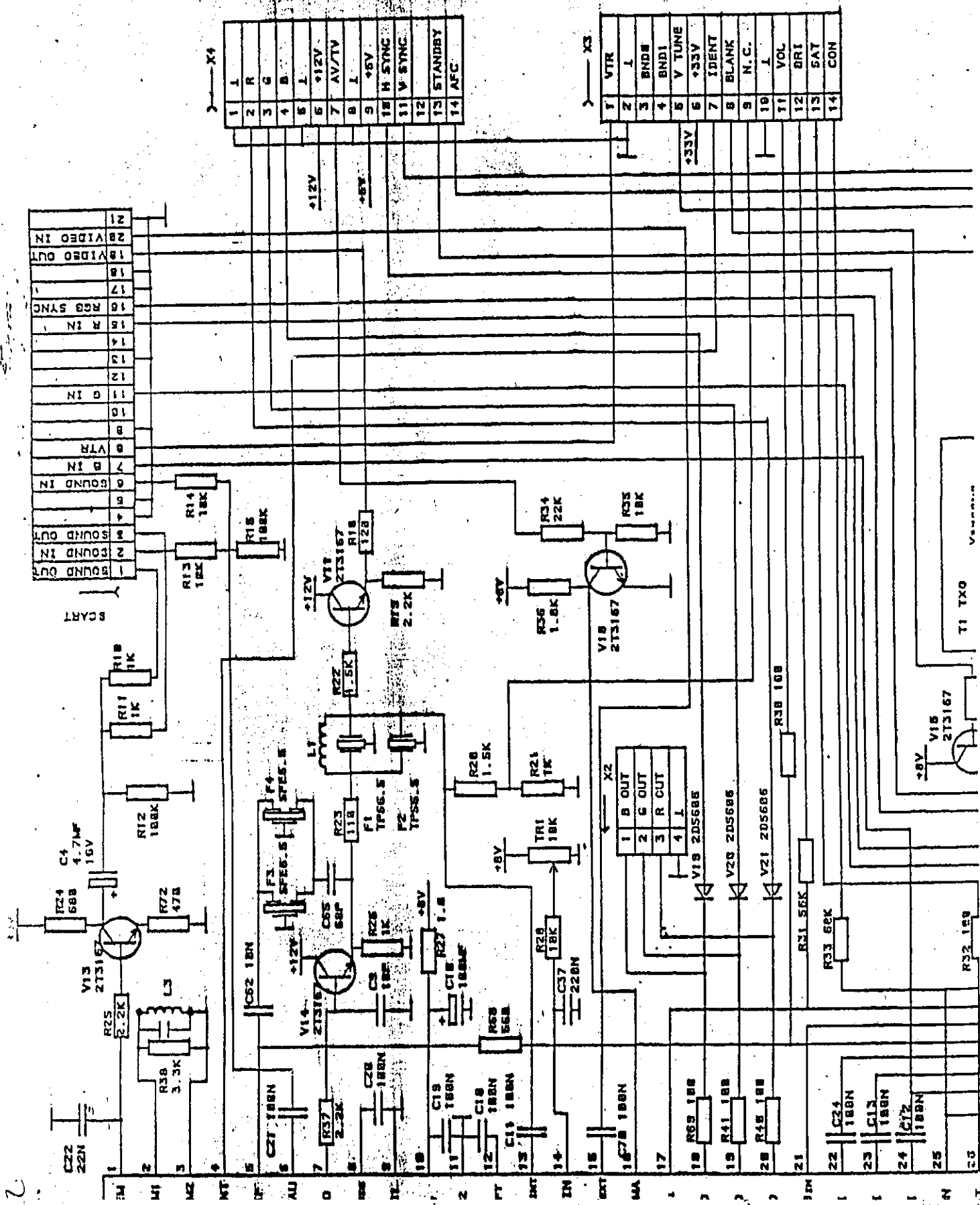


3

TUNER

+5V

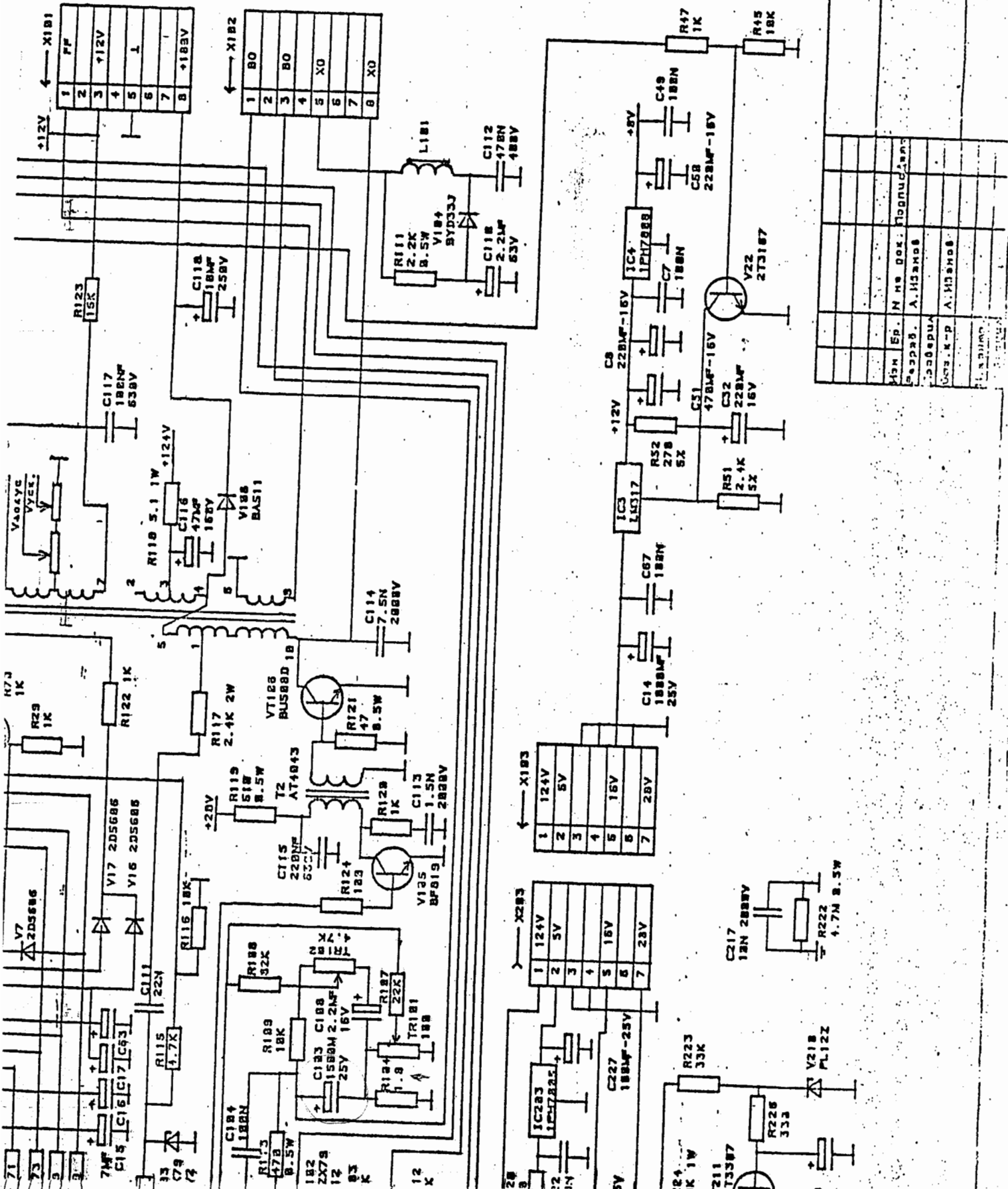


21	VIDEO IN
20	VIDEO OUT
19	VIDEO SYNC
18	R IN
17	G IN
16	B IN
15	VTR
14	B IN
13	SOUND IN
12	SOUND OUT
11	SOUND IN
10	SOUND OUT
9	SOUND IN
8	SOUND OUT
7	VTR
6	B IN
5	G IN
4	R IN
3	VIDEO IN
2	VIDEO OUT
1	VIDEO SYNC

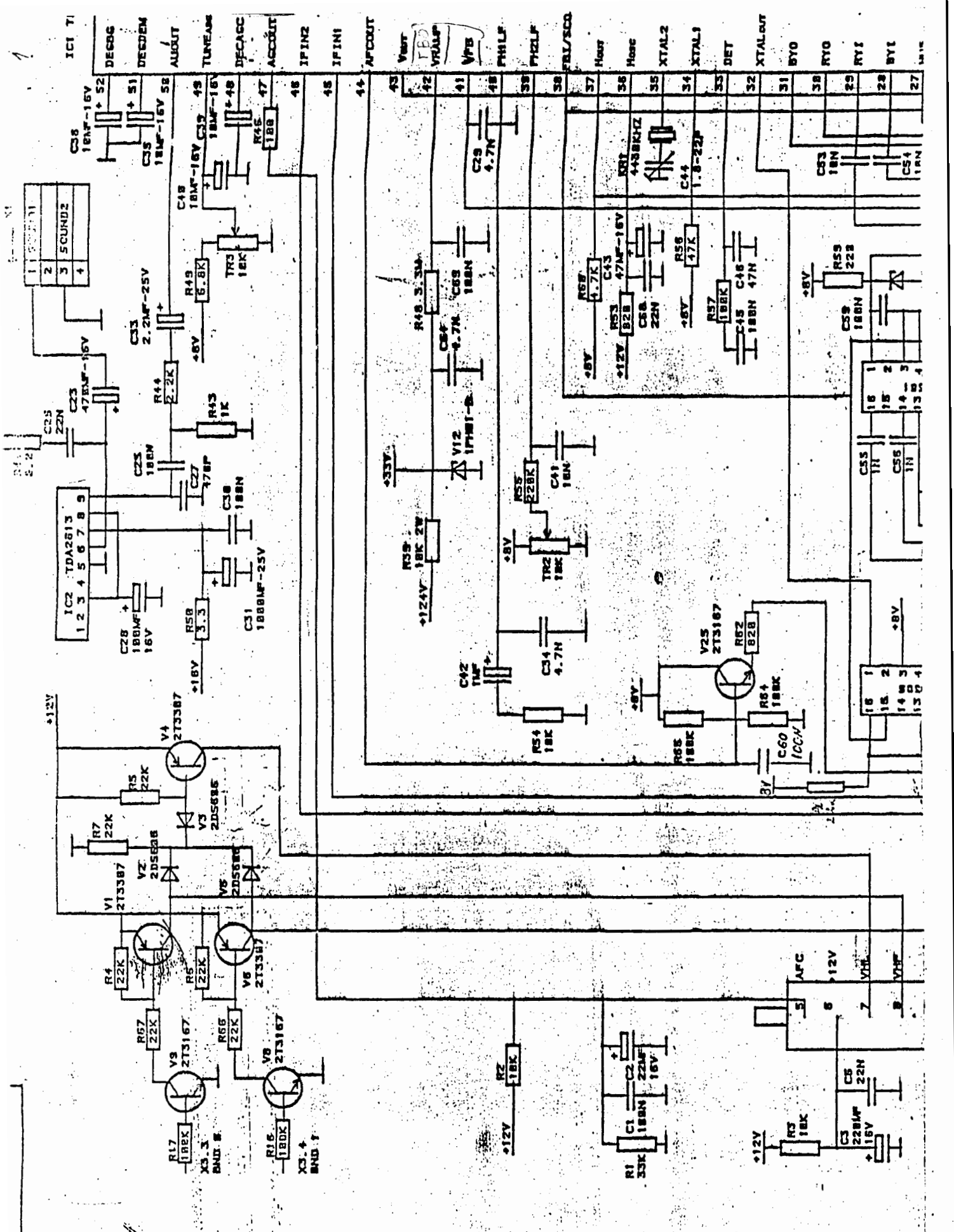
1	L
2	R
3	G
4	B
5	L
6	+12V
7	AV/TV
8	L
9	+5V
10	H SYNC
11	V SYNC
12	
13	STANDBY
14	AFC

1	VTR
2	L
3	BND8
4	BND1
5	V TUNE
6	+33V
7	IDENT
8	BLANK
9	N.C.
10	L
11	VOL
12	BRI
13	SAT
14	CON

2



Изм	Эр.	И. М. Док.	Подпись
№	Др.	А. И. Сидор	
№	Др.	А. И. Сидор	
№	Др.	А. И. Сидор	

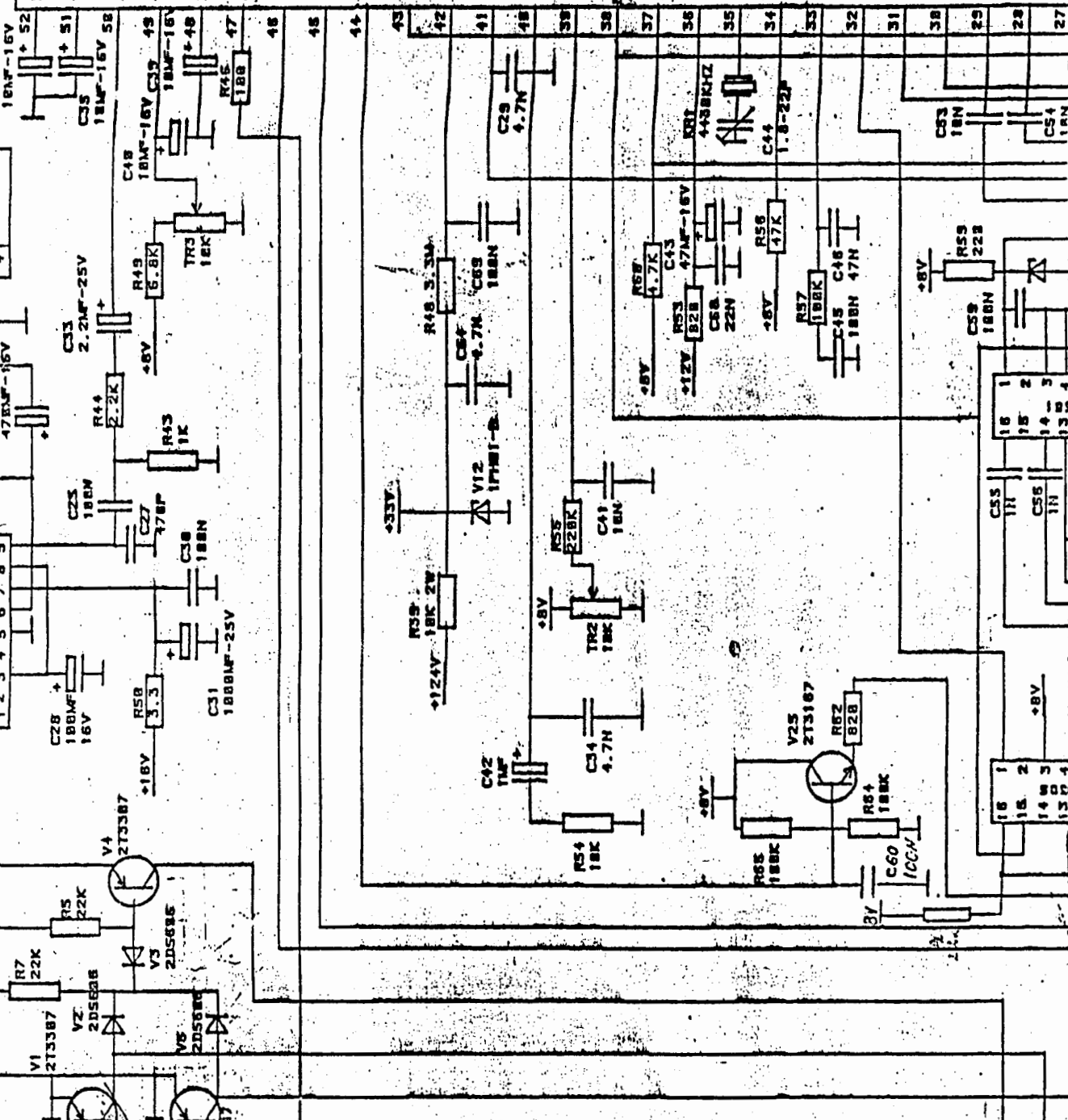


IC1 T1

DECGC  
DEDEM  
AOUT  
TUNEARG  
DECACC  
ACOOUT  
IPINR  
IPINI  
APOOUT  
VIB  
VPALP  
VFB  
PHILF  
PHZLF  
FBL/SC  
Hout  
Hinc  
XTAL2  
XTALJ  
DET  
XTALout  
BYO  
MYO  
MYI  
BYI  
BYIE

1	2	3	4
5	6	7	8
9	10	11	12
13	14	15	16
17	18	19	20
21	22	23	24
25	26	27	28
29	30	31	32
33	34	35	36
37	38	39	40
41	42	43	44
45	46	47	48
49	50	51	52

IC2 TDA2813

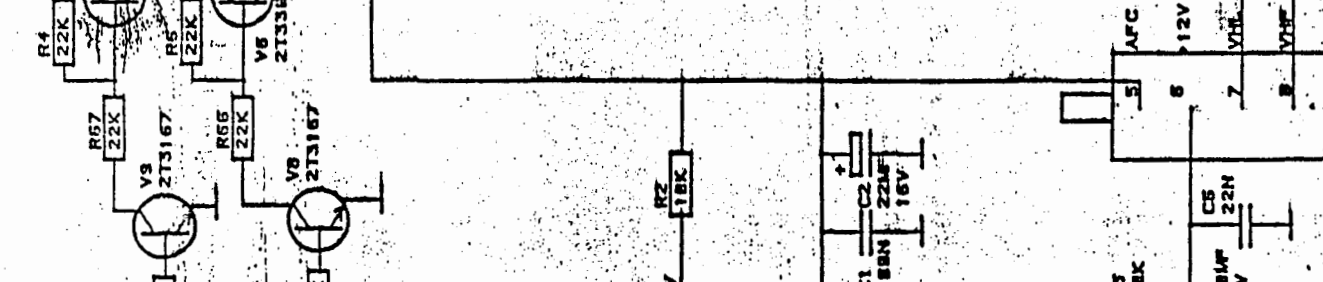


IC1 T1

DECGC  
DEDEM  
AOUT  
TUNEARG  
DECACC  
ACOOUT  
IPINR  
IPINI  
APOOUT  
VIB  
VPALP  
VFB  
PHILF  
PHZLF  
FBL/SC  
Hout  
Hinc  
XTAL2  
XTALJ  
DET  
XTALout  
BYO  
MYO  
MYI  
BYI  
BYIE

1	2	3	4
5	6	7	8
9	10	11	12
13	14	15	16
17	18	19	20
21	22	23	24
25	26	27	28
29	30	31	32
33	34	35	36
37	38	39	40
41	42	43	44
45	46	47	48
49	50	51	52

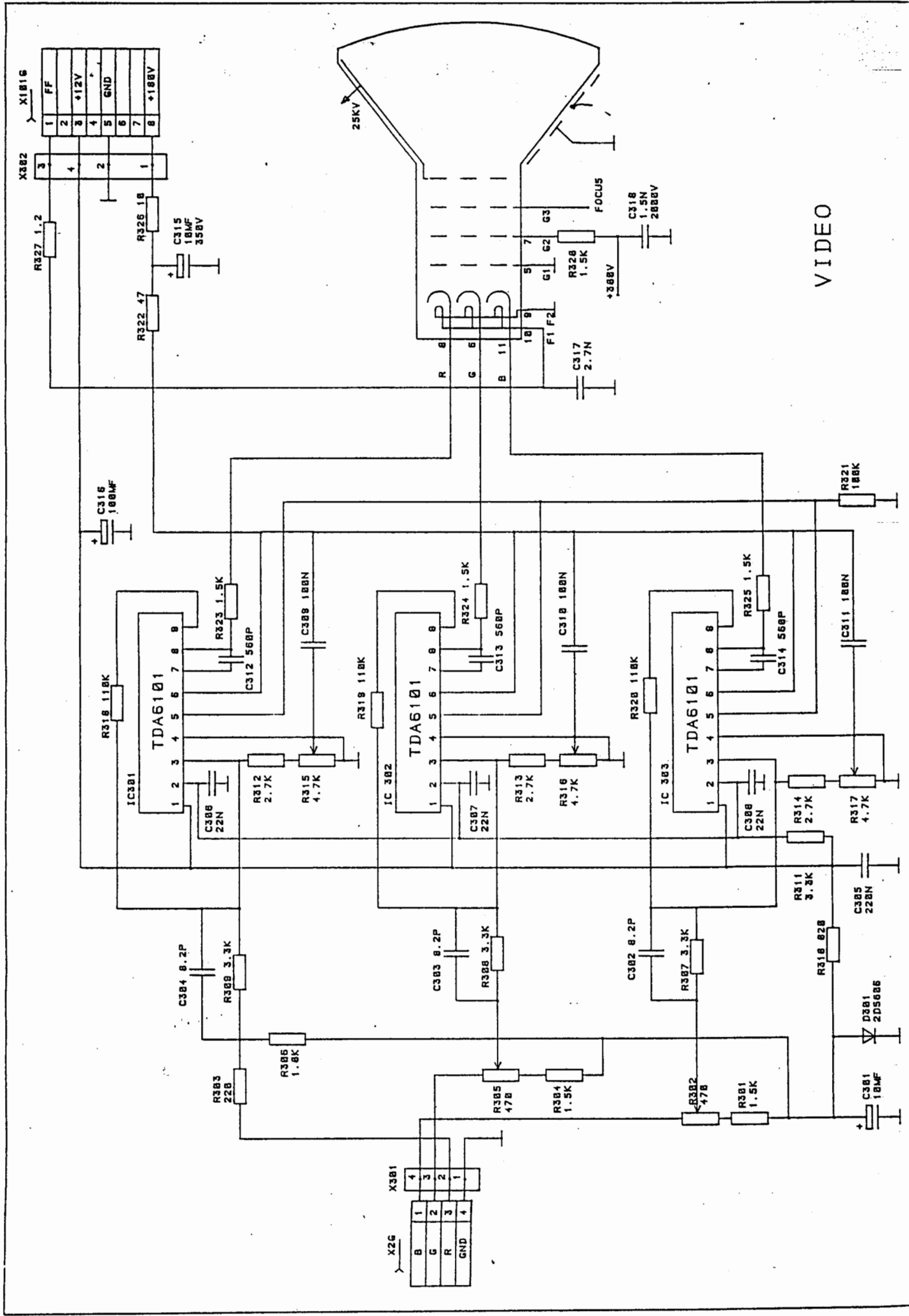
IC2 TDA2813



IC1 T1

DECGC  
DEDEM  
AOUT  
TUNEARG  
DECACC  
ACOOUT  
IPINR  
IPINI  
APOOUT  
VIB  
VPALP  
VFB  
PHILF  
PHZLF  
FBL/SC  
Hout  
Hinc  
XTAL2  
XTALJ  
DET  
XTALout  
BYO  
MYO  
MYI  
BYI  
BYIE

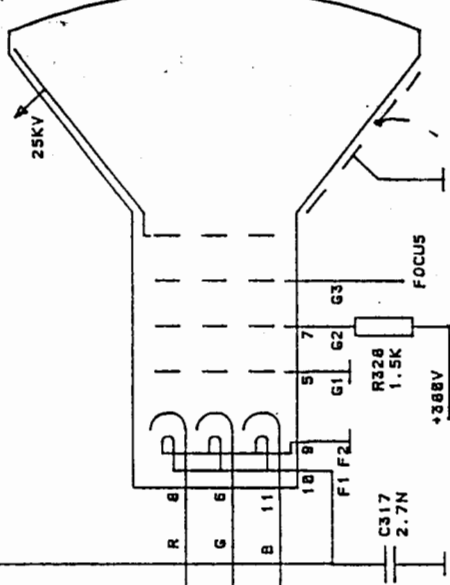
1	2	3	4
5	6	7	8
9	10	11	12
13	14	15	16
17	18	19	20
21	22	23	24
25	26	27	28
29	30	31	32
33	34	35	36
37	38	39	40
41	42	43	44
45	46	47	48
49	50	51	52

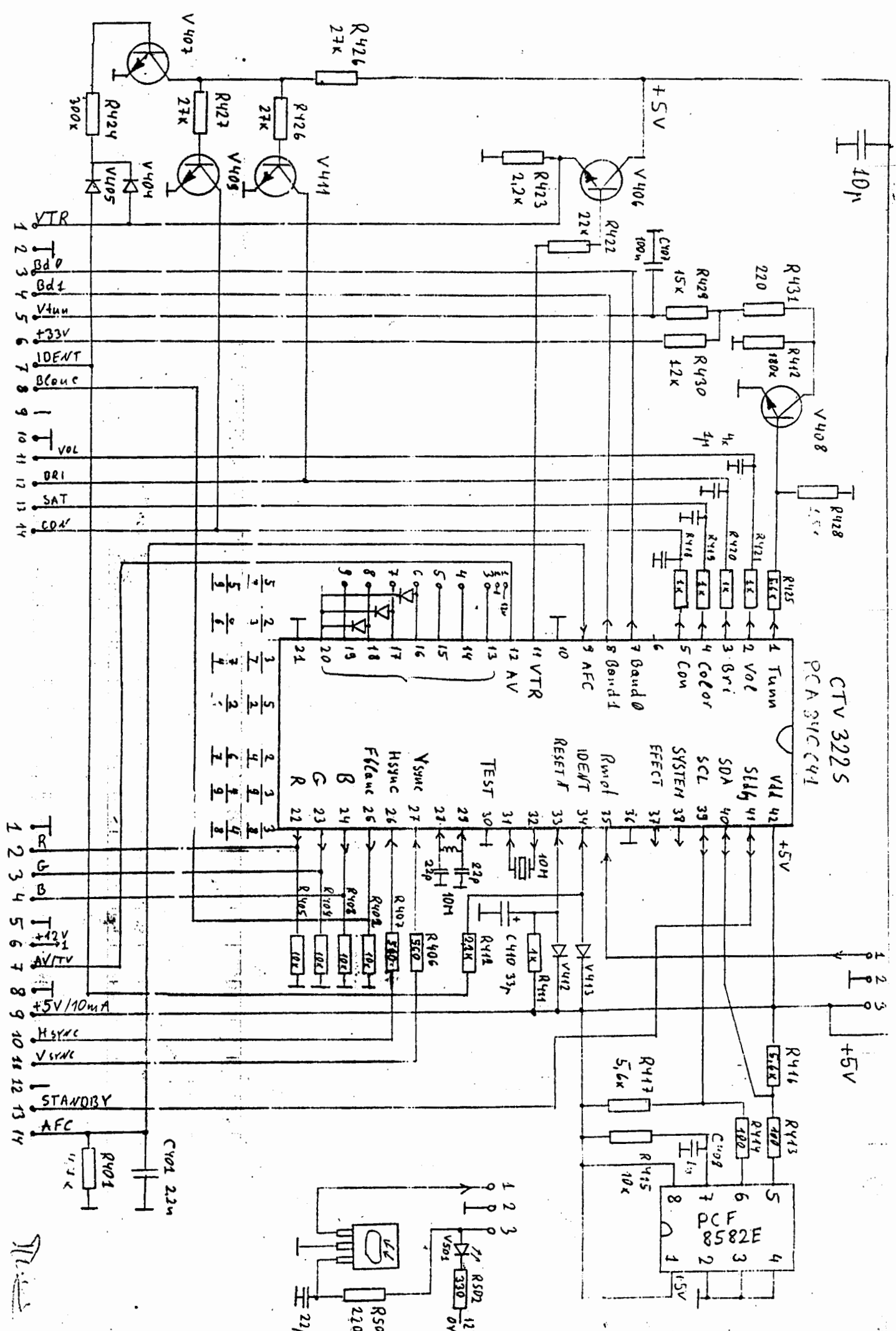


VIDEO

X26	B	1	4
	G	2	3
	R	3	2
	GND	4	1

X1816	1	FF
	2	+12V
	3	GND
	4	
	5	
	6	
	7	
	8	+188V





X 403

X 404

NETKO

